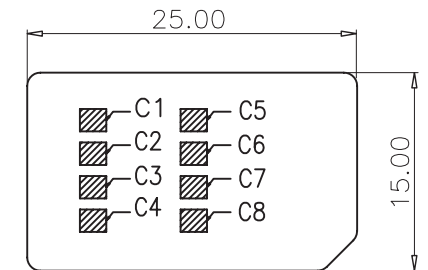
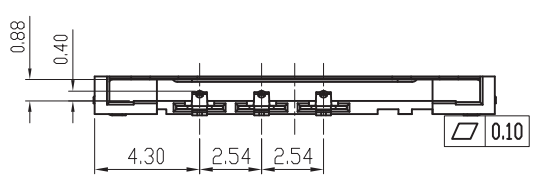
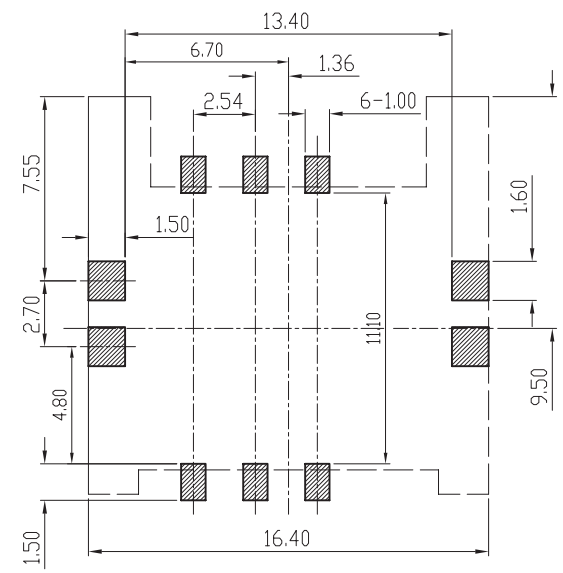
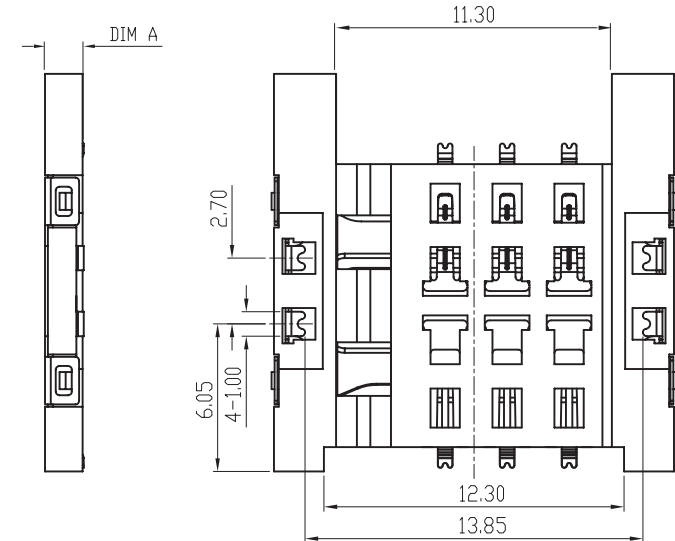
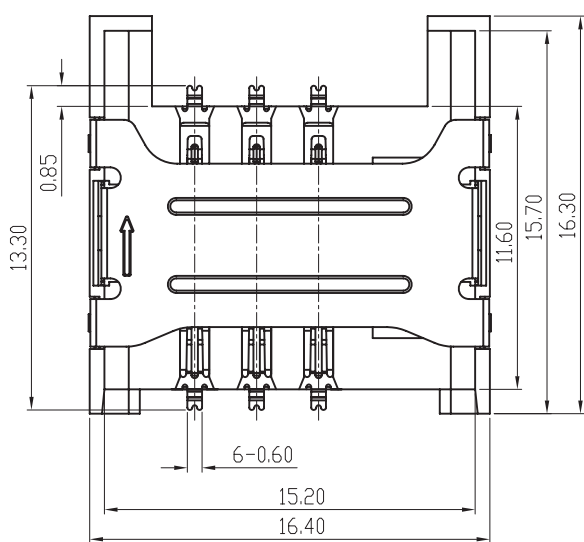


REV.	ZONE	DESCRIPTION	DESIGN	DATE
C			James	9/18-14



REFERENCE SIM CARD PLUG

RECOMMENDED PCB LAYOUT
TOLERANCE: ± 0.05

NOTES:

- MATERIAL:
 - HOUSING: THERMOPLASTIC, UL94V-0, BLACK
 - TERMINAL: COPPER ALLOY
 - SHELL: SUS
- FINISH:
 - TERMIANL:
 - G/F Au ON THE CONTACT AREA,
 - 100u" MATTE TIN ON THE SOLDER TAILS,
 - UNDERPLATED 50u" NICKEL.
 - SHELL: GOLD FLASH ON THE SOLDER TAILS, UNDERPLATED NICKEL.

TABLE B:

PIN NO.	PIN NAME
C 1	Supply Voltage Vcc
C 2	Reset (RST)
C 3	Clock(CLK)
C 4	N/A
C 5	Ground
C 6	Programing Voltage Vpp
C 7	I/O
C 8	N/A

TABLE A:

成品规格	DIM A	P/N
SIM 1.5	1.50	6S0615GS03AR002
SIM 1.8	1.80	6S0618GS04AR003

TABLE B:

ITEM	NAME	Q'TY	NOTES
3	SHELL	1PCS	Stainless steel,Ni plat over all,Au G-Flash plat on solder
2	CONTACT	6PCS	Phosphor bronze,Ni plat over all,Au G-Flash plat on solder and contact area
1	HOUSING	1PCS	Thermo plastics BLACK

	宁波欧路电子有限公司 NINGBO ULO ELECTRONICS CO., LTD							
	DRAW NO. FD140918-003 DWN James	DATE 9/18-14 CHK	DRAW NAME: ULO-SIM CARD/B					
Unless otherwise specified tolerances are		P/N :						
X.	± 0.25	Third Angle Project	FINISH	MATERIAL	UNIT	SCALE	REV	SHEET
X.X	± 0.20		SEE NOTES		mm	1:1	C	1 OF 1
X.XX	± 0.15							
X.XXX	± 0.10							
X*	$\pm 2.0^*$							
X.X*	$\pm 1.0^*$							